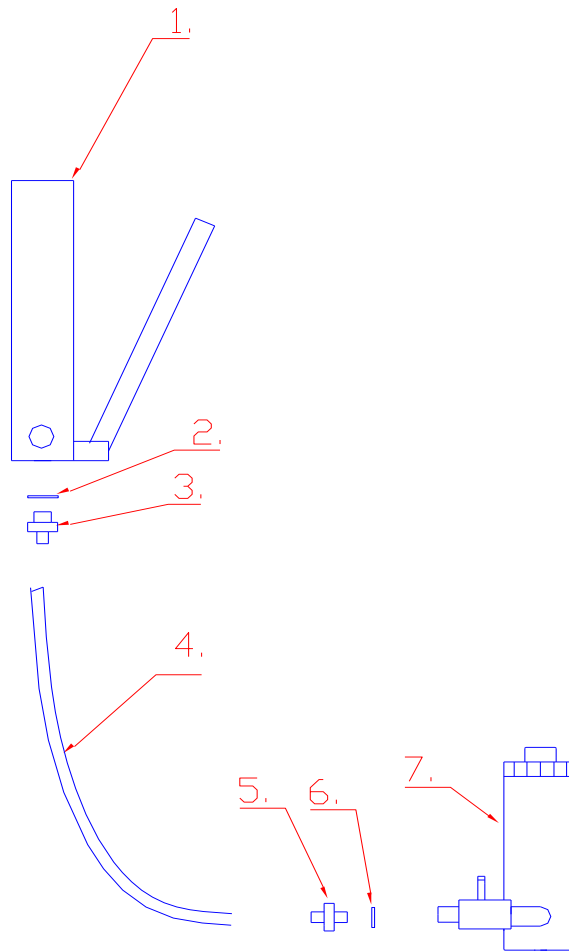


Partpicture Nr 1

Rollers

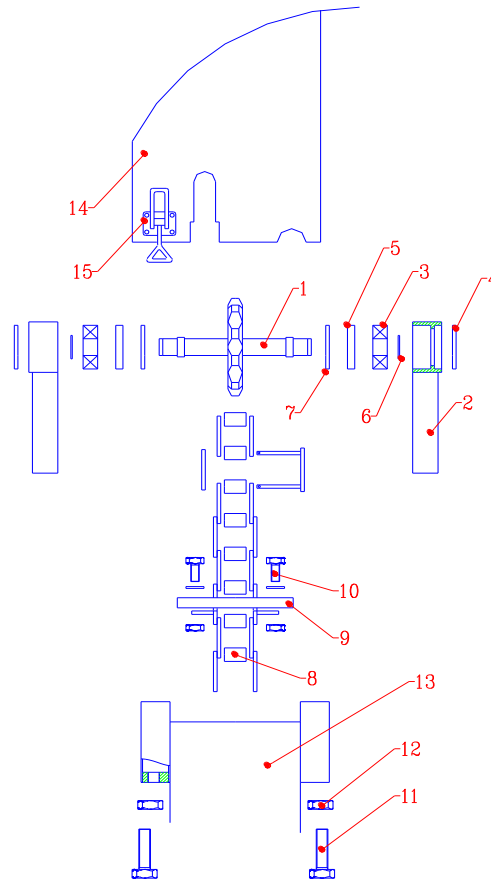
Ref.	Part No.	Pcs	Description	Size
1	MPVV1000HD.P	1	roller 1000HD (fixed)	Ø300x950
	MPVV700HD.P		roller 700HD (fixed)	Ø300x700
2	MPVK1000HD.P	1	roller 1000HD (adj.)	Ø300x950
	MPVK700HD.P		roller 700HD (adj.)	Ø300x700
1 . 1	202306	1	gear wheel	z = 37
2 . 1	202306	1	gear wheel (adj. roller)	z = 37
1 . 2	MP4842	1	spline-shaft	1 3/8" - 6 spline
	MP4843	1	spline-shaft	1 3/4" - 6 spline
1 . 4	605340	16	Fixing bolt	M16x65 12.9 DIN912
	60W042716	16	Lock washer	" Nord-Lock " Ø16
	MP2568			
3	201684	4	roller-bearing	22218 W33, Ø90/160x40
4	206111785	4	packing	GV 95x160x13 NBR
6	206111383	4	packing	R 90x140x13 NBR
6.1	50A0301	4	grease nipple 1/8"	1/8"
6.2	50A250151	4	extension 51mm	
6.2	50A1001	4	90° angle connector	
7	MP11107	2	square bar	30x30
8	MP3900	2	pivot shaft	Ø 25
	AKK-1408	2	pivot shaft	Ø 30
9	MP7159	2	locking plate + screw	
10	60W105716 80	2	roller adjusting screw	M16x80 8.8 Zn DIN 933
11	60W031716	2	locking screw	M16 8.8 ZN DIN934
12 . 1	MP5649	1	Cassette framework M700HD	
	MP5650	1	Cassette framework M1000HD	
12 . 2	60W105716 40	2	Fixing bolt	M16 x 40 8.8 Zn
12	MP11002	1	Adj. Roller frame 700HD, back side	
13	MP11001	1	Adj. Roller frame 700HD, front side	
12	MP20009	1	Adj. Roller frame 1000HD, back side	
13	MP20008	1	Adj. Roller frame 1000HD, front side	
14	60W10571225	2	screw	M12x25
15	60W036812	2	nut	M12
16	MP7478	1	leaf spring	90x20x465 mm, Ø12mm fixing hole
17	MP7981	1	Cylinder unit for roller adjusting 700HD, see pict.nr. 1B	
	MP9847	1	Cylinder unit for roller adjusting 1000HD, see pict.nr. 1B	
19	251665	1	pulley (adj. roller), Feeder drive	SPB 140-2 / 2012
	251673	1	taper-hub	2012 / 50
20	252608	1	pulley (fixed. roller), Auger drive M1000HD	SPB 200-3 / 2517
	251675	1	taper-hub M1000HD	2517 / 65
20	251664	1	pulley (fixed. roller), Auger drive M700HD	SPB 140-5 / 2517
	251675	1	taper-hub M700HD	2517 / 65
21	MP6643	1	adj. shaft 1000HD	1190 x Ø 35
	MP6935	1	adj. shaft 700HD	940 x Ø 35
22	MP6936	1	crank	
23	MP8551	1	guideliner	Ø25x45, Ø17mm hole
24	60W031716	2	nut	M16 8.8
25	60W1057820	2	screw	M8x20
26		2	washer	8
27	MP2587	2	plastic wedge	
30	60W105712 25	12	screw (bearing housing fix.)	M12x25 DIN 933
31	60W047510-30	4	guide-pinn	Ø 10 x 30 DIN 1481
38	MP10892	1	bearing housing (back side)	Ø160
	MP10893	1	bearing housing (front side)	Ø160
39	MP8550	1	thread sleeve	Ø25 x 35, M16 kierreikä



Partpicture No 1 / Part 17
 Roller tensioning hydraulics

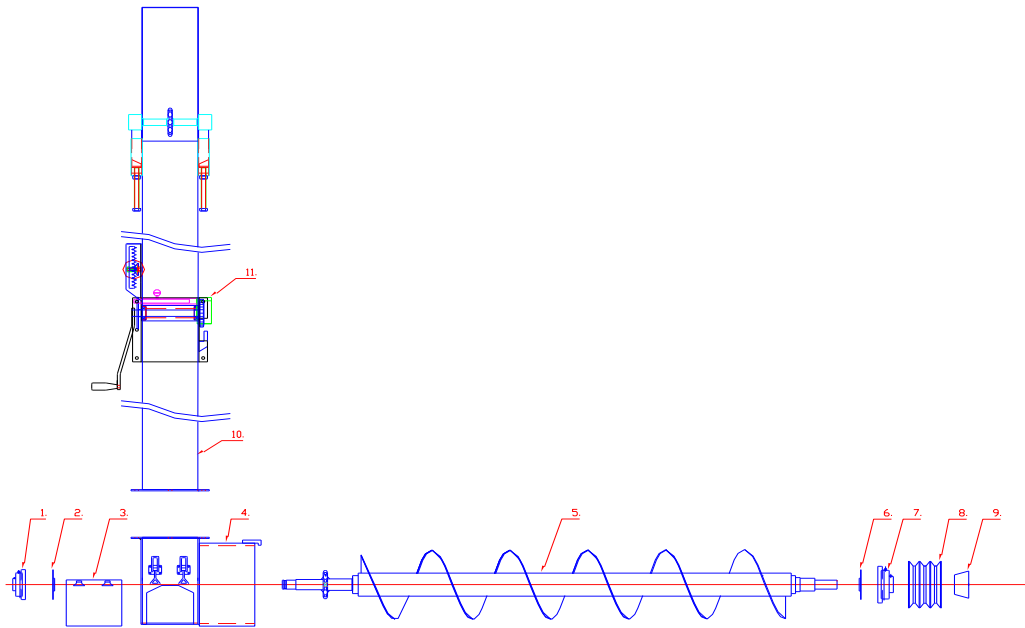
Ref.	Part No	Pcs	Description	Size
	MP7981	1	700 S2/HD complete system	
	MP9847	1	1000HD complete system	
1	509631	1	Hydraulic hand pump P19-140bar-2000psi	P19-140bar-2000psi
2	504063	1	Sealing R 3/8"	R3/8"
3	5011854	1	Double nipple 1/4-3/8"	
4	507983	1	Hydraulic tube 700HD, flexible (680mm)	1/4"
	509842	1	Hydraulic tube 1000HD, flexible (800mm)	1/4"
5	506149	1P256	Double nipple 1/4-1/4"	
6	507982	2	Sealing R1/4"	R1/4"
7	509720	2	Hydraulic cylinder	Ø60/63x89

PARTSPICTURE 2



Partspicture Nr 2
M1000HD Tightening pulley

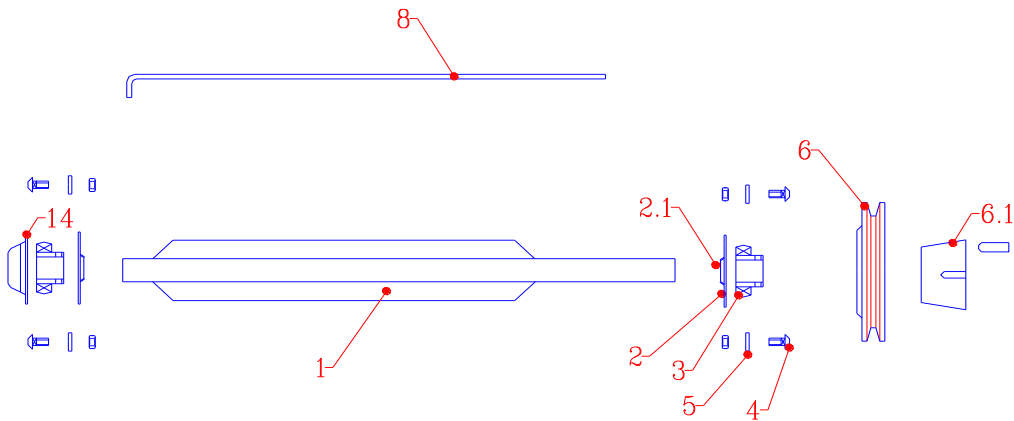
Ref.	Part No	Pcs	Description	Size
1	MP5734	1	chain tensioner sprocket	z=7, Ø35 shaft
2	MP5359	2	bearing housing	
3	201703	2	bearing	22205CW33, Ø 25/52x18
4	205030	2	packing	Ø52
5	204527	2	packing	Ø52/35
6	601705	2	circlip	Ø25 DIN 471
7	601710	2	circlip	iØ52 DIN 472
8	MP2568			
	MP4476	6,7m	chain	CA550
	253511	1	chain coupler link	CA550
	259356	1	chain coupler link, reducing	CA550
9	MP6446	40	rubber pad 1000HD	
9.1	MP2564	39	support plate	galvanized steelplate s=3
10	60W1057835	78	screw	M8x35 DIN933 8.8 ZN
10.1		78	washer	8x25
10.2	60W03688	78	nut	Nyloc M8 DIN985 ZN
11	60W105716 80	2	screw	M16x80 DIN 933
12	60W031716	2	nut	M 16
13	MP4475	1	housing tube 3m	150x200
	1000416	1	Elevator tube 1.5m bottom half	1,5
	1000418	1	Elevator tube 1.5m top half	1,5
14	MP4257	1	hat	
	8387	1	adjustable hat vizer	
15	702579	2	lock + lock hook	Ojob 703 RLA
1-7	MP4477	1	tensioning sprocket unit	
-				
-	MMELE	1	elevator complete	3,3m
	MP5153	1	Chain greasing unit	
	MP10950	1	belt tensioner	



Partspicture Nr 3
M1000HD Feeder auger

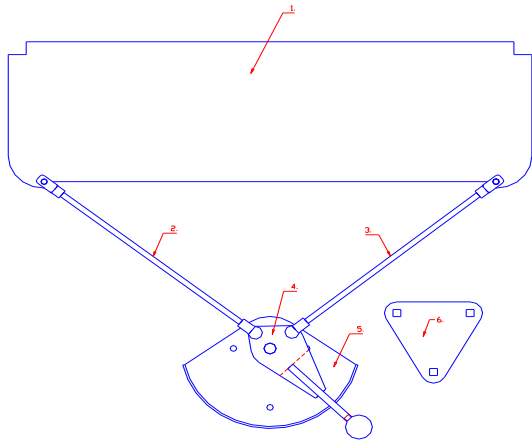
Ref.	Part No	Pcs	Description	Size
1	203993	1	Bearing UCF 207	Ø35/72x28
2	204048	1	Dirt seal	GA 40.50.7/10
3	MP7636	1	Door	
4	MP4256	1	Elevator end-housing	
5	MP9461	1	Auger 1000HD	Ø270
6	209253	1	Dirt seal	GA 55.65.7/10
7	209242	1	Bearing UCF 210 + housing	Ø50
8	251661	1	Pulley	SPB 140-3 / 2012
9	251676	1	conical hub	2012/35
10	MP4475	1	Elevator tube	3m
	1000416	1	Elevator tube 1.5m bottom half	
	1000418	1	Elevator tube 1.5m top half	
11	MP8451	1	Elevator adjusting	
	MP10915	1	toothed rack bow	

PARTSPICTURE 4

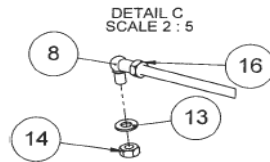
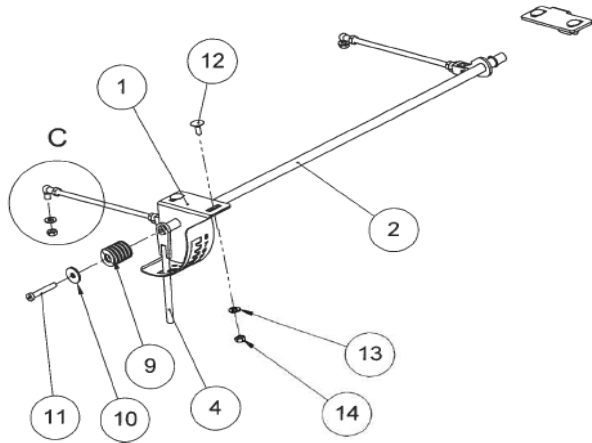


Partspicture Nr 4
Feeder

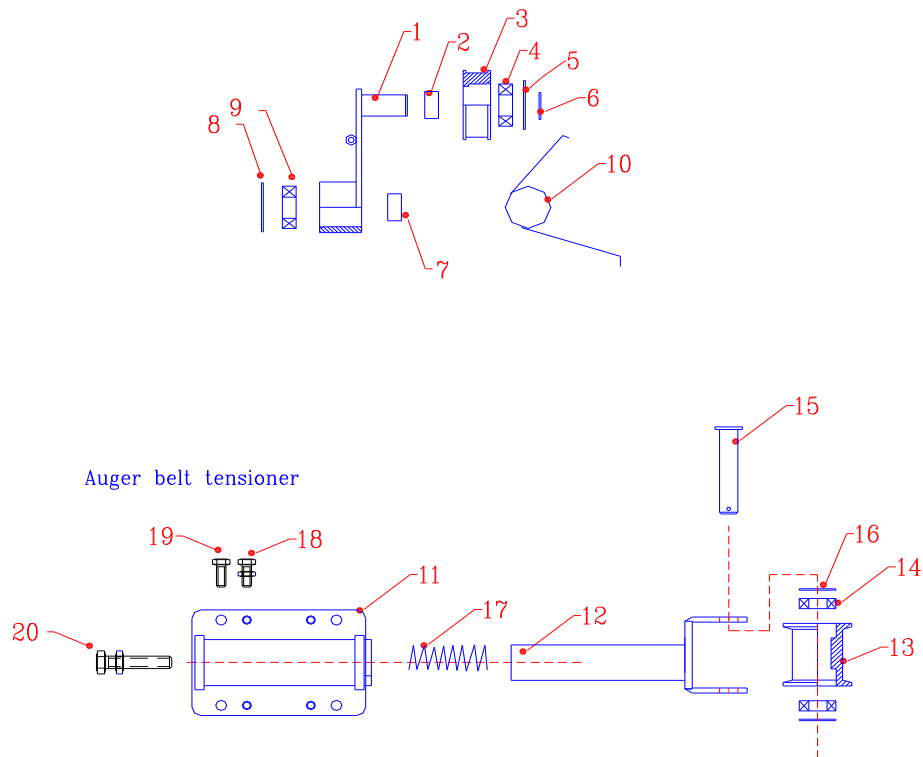
Ref.	Part No	Pcs	Description	Size
1	MP5314	1	feedershaft 1000HD	Ø 25, steel blade
	MP5313	1	feedershaft 700HD	Ø 25, steel blade
2	204044	2	seal	GA 25.35.7/10
3	203992	2	bearing	UCFL 205, Ø25/52x22
4		4	screw + nut	M10x30 DIN 933
5		4	washer	Ø10 DIN 125
6	251663	1	pulley	SPB 140-1/ 1610
6.1	251674	1	taper-hub	1610/25
8	MP6284	1	cut-off plate 700HD	2x160x930
	MP5519	1	cut-off plate 1000HD	2x160x1200
9		1	packing	3
10		1	supportplate	1.5
11		2	screw	M6x16
12		2	nut	M6 nyloc
13		2	washer	6
14	MP10950	1	guard-cup	
	701828		protective magnet	Ø 80 mm BM31.033



Partpicture Nr 5
Feed controller



Ref.	Part No	Pcs	Description	Size
1	MP9303	1	Feeder door 700HD	3x728x228
	MP9304	1	Feeder door 1000HD	3x980x238
2	MP9306	1	Adjusting rod 330	
3	MP9307	1	Adjusting rod 340	
4	MP9477	1	Handle	
5	MP9476	1	Feed controller frame	
6	MP2568	1	Backing plate	



Partpicture Nr 6 M1000HD Beltclamps

Ref.	Part No	Pcs	Description	Size
------	---------	-----	-------------	------

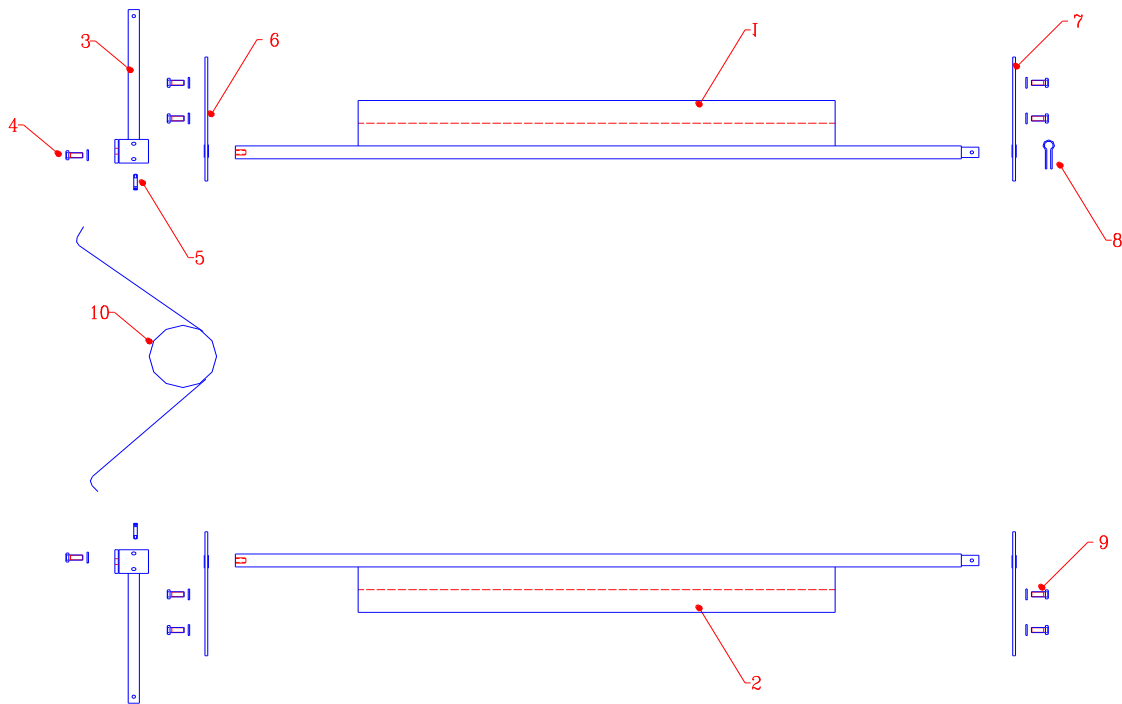
Feeder belt clamp

1 - 10	MP7281	1	belt tensioner, complete	
1	MP7280	1	frame	
2	MP5595	1	bush	Ø28
3	251651	1	pulley (alum.)	SPB 72-2 / 25
4	201691	1	bearing	6205 2RS
5	601710	1	circlip	Ø52 x 2 DIN 472
6	601705	1	circlip	Ø25 x 1,2 DIN 471
7	206111785	1	bush	Ø28x16
8	206111383	1	circlip	Ø52 x 2 DIN 472
9	201691	2	bearing	6205 2RS
10	MP7275	1	spring	Ø 5

Screw Auger belt tensioner

	MP7689		auger belt tensioner, complete	
11	MP7694	1	tensioner frame	
12	MP7690	1	tensioner arm	
13	257693	1	pulley (steel)	SPB 67-3
14	201693	2	bearing	6204 2RS, Ø 20/47x14
15	MP7695	1	shaft	Ø20
16		2	sealing	
17	MP5838	1	spring	3,5x24x100 mm
18	60W10571040	4	adjusting bolt	8,8 ZN M10x40
19	60W10571040	4	fastening bolt	8,8 ZN M10x40
20	60W10571680	1	tensioning bolt	8,8 ZN M16x80

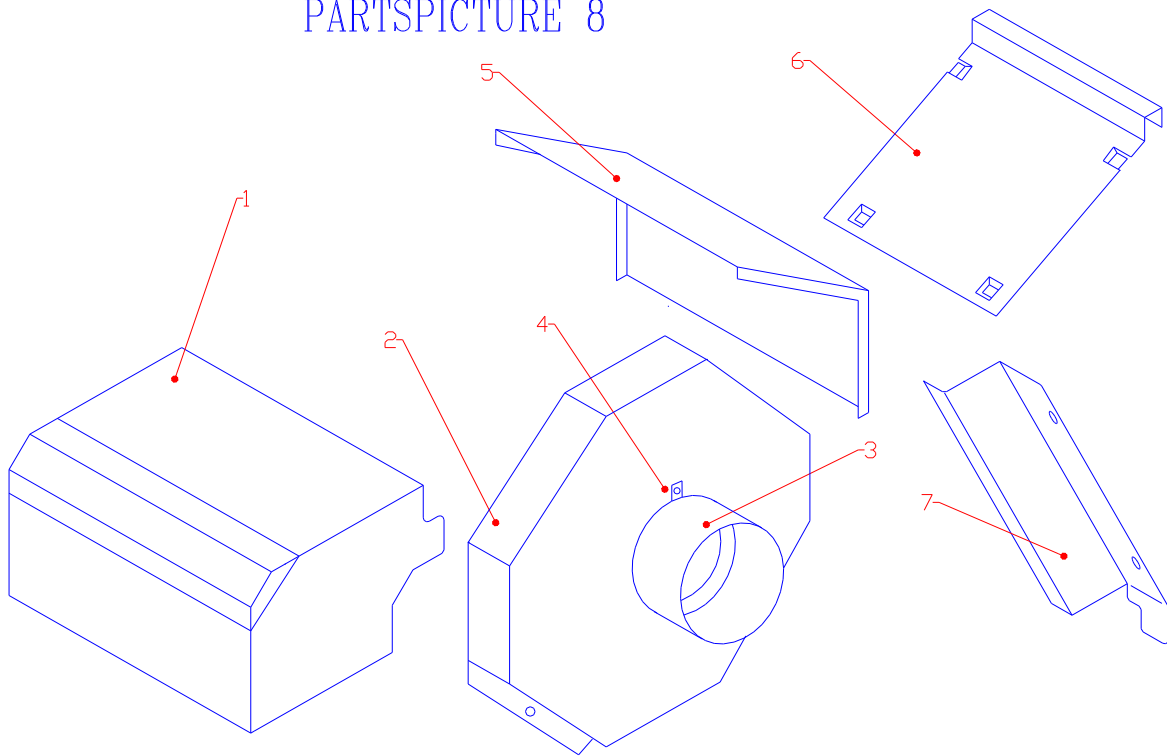
PARTSPICTURE 7



Partspicture Nr 7 Scrapers

Ref.	Part No	Pcs	Description	Size
1	MP4785F	1	scraper knife 700HD (fixed roller) (complete)	Ø16
2	MP4785A	1	scraper knife 700HD (adj. roller) (complete)	Ø16
1	MP5317F	1	scraper knife 1000HD (fixed roller) (complete)	Ø16
2	MP5317A	1	scraper knife 1000HD (adj. roller) (complete)	Ø16
3	MP10917	2	handle	
4		2	Allen screw + washer	M8 x 20
5		4	clamp screw	M6
6	MP11058	2	fixing / adjusting flange 700HD (rear)	
	MP11059	2	fixing / adjusting flange 1000HD (rear)	
7	MP7734	2	fixing / adjusting flange (front)	
8		2	spline pin	
9		8	Allen screw + washer	M8 x 20
10	MP6331	1	spring	Ø 5

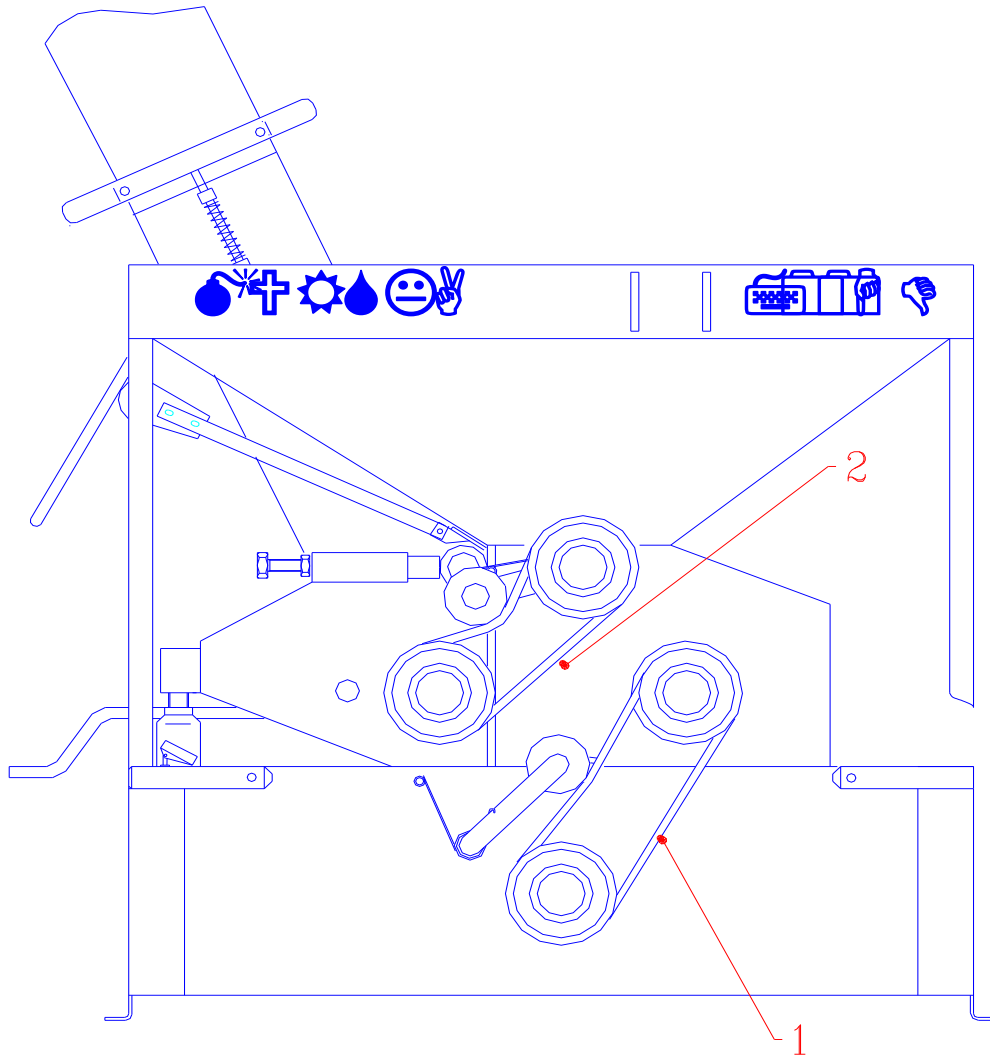
PARTSPICTURE 8



Partspicture Nr 8 Guards

Ref.	Part No	Pcs	Description	Size
1	MP7707	1	rollerguard 700HD (adj. roller)	1.5
	MP7710	1	rollerguard 1000HD (adj. roller)	1.5
2	MP11114	1	beltguard 700HD	
	MP11385	1	beltguard 1000HD	
3	MP11158	1	PTO guard	1.5
4		1	screw	M8x20
5		1	rollerguard 700HD (fixed roller)	1.5
	MP7713	1	rollerguard 1000HD (fixed roller)	1.5
	MP9529	1	bottom door 700HD	1.5
		1	bottom door 1000HD	1.5
7	MP11122	1	inspection door	1.5
		1	Beltguard for Electrical Drive	

PARTSPICTURE 9



Partspicture Nr 9
V-belts

Ref.	Part No	Pcs		Size
1	259317	2	v-belt 700HD (screw conveyor)	Hi-Power MN B52 1370
	259371	3	v-belt 1000HD (screw conveyor)	Hi-Power MN B54 1425
2	251738	1	v-belt 700 / 1000HD (feeder)	Hi-Power MN B44 1170
		4	v-belt for 700HD electrical motor drive	XPB 2360 Quad Power II